



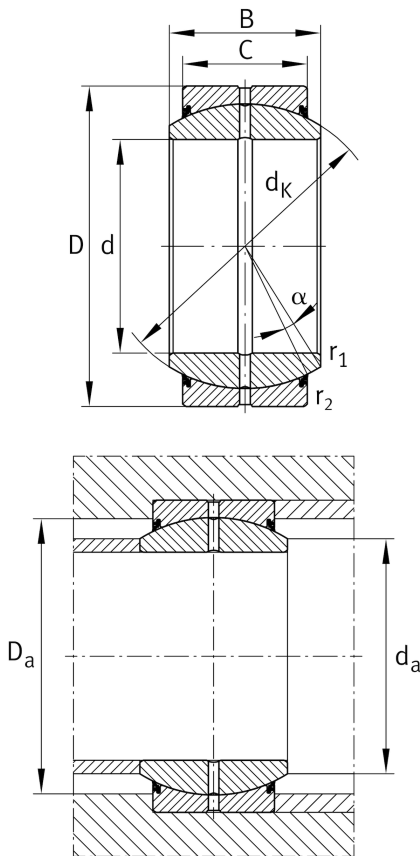
## GE50-DO-2RS

### Spherical plain bearing

Schaeffler ID:  
0066481850000

Radial spherical plain bearing, requiring maintenance, sliding contact surface: steel/steel, DIN ISO 12240-1, dimension series E, sealed

### Technical information



#### Main Dimensions & Performance Data

d	50 mm	Bore diameter bearing
D	75 mm	Outside diameter bearing
B	35 mm	Width Inner ring
$C_r$	157.000 N	Basic dynamic load rating, radial
$C_{0r}$	785.000 N	Basic static load rating, radial
	0,53 kg	Weight

#### Mounting dimensions

$d_{a \max}$	55,9 mm	Connection measure Inner ring
$D_{a \min}$	63 mm	Housing Connection Diameter

#### Dimensions

C	28 mm	Width Outer ring
$d_K$	66 mm	Ball diameter
$\alpha$	6 °	Tilt angle
$r_{1 \min}$	0,6 mm	Edge Spacing
$r_{2 \min}$	1 mm	Edge Spacing
$d_{OT}$	0 mm	Bore diameter bearing, upper tolerance
$d_{UT}$	-0,012 mm	Bore diameter bearing, lower tolerance
$D_{OT}$	0 mm	Outside diameter, upper tolerance
$D_{UT}$	-0,013 mm	Outside diameter, lower tolerance
$B_{OT}$	0 mm	Width inner ring, upper tolerance
$G_r$	0,06 - 0,12 mm	Radial Clearance
$B_{UT}$	-0,12 mm	Width inner ring, lower tolerance
$C_{OT}$	0 mm	Width outer ring, upper tolerance

#### Temperature range

$T_{\min}$	-30 °C	Operating temperature min.
$T_{\max}$	130 °C	Operating temperature max.