



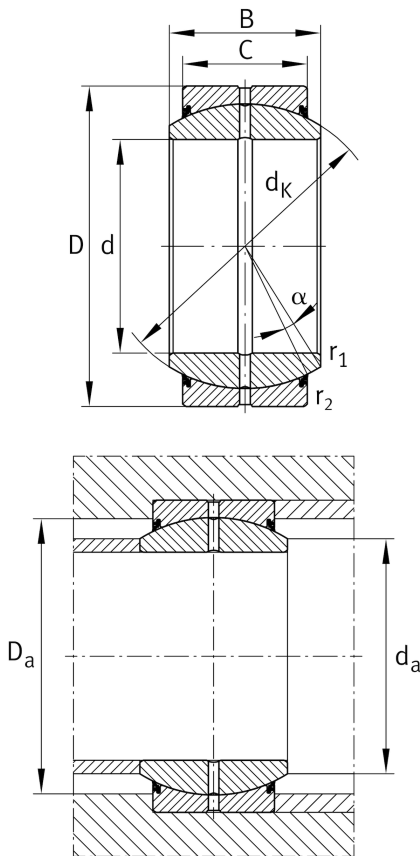
## GE35-DO-2RS

### Spherical plain bearing

Schaeffler ID:  
0066529800000

Radial spherical plain bearing, requiring maintenance, sliding contact surface: steel/steel, DIN ISO 12240-1, dimension series E, sealed

### Technical information



### Main Dimensions & Performance Data

d	35 mm	Bore diameter bearing
D	55 mm	Outside diameter bearing
B	25 mm	Width Inner ring
C <sub>r</sub>	79.900 N	Basic dynamic load rating, radial
C <sub>0r</sub>	400.000 N	Basic static load rating, radial
	0,218 kg	Weight

### Mounting dimensions

d <sub>a max</sub>	39,7 mm	Connection measure Inner ring
D <sub>a min</sub>	44,5 mm	Housing Connection Diameter

### Dimensions

C	20 mm	Width Outer ring
d <sub>K</sub>	47 mm	Ball diameter
α	6 °	Tilt angle
r <sub>1smin</sub>	0,6 mm	Edge Spacing
r <sub>2smin</sub>	1 mm	Edge Spacing
d <sub>OT</sub>	0 mm	Bore diameter bearing, upper tolerance
d <sub>UT</sub>	-0,012 mm	Bore diameter bearing, lower tolerance
D <sub>OT</sub>	0 mm	Outside diameter, upper tolerance
D <sub>UT</sub>	-0,013 mm	Outside diameter, lower tolerance
B <sub>OT</sub>	0 mm	Width inner ring, upper tolerance
G <sub>r</sub>	0,05 - 0,1 mm	Radial Clearance
B <sub>UT</sub>	-0,12 mm	Width inner ring, lower tolerance
C <sub>OT</sub>	0 mm	Width outer ring, upper tolerance

### Temperature range

T <sub>min</sub>	-30 °C	Operating temperature min.
T <sub>max</sub>	130 °C	Operating temperature max.