



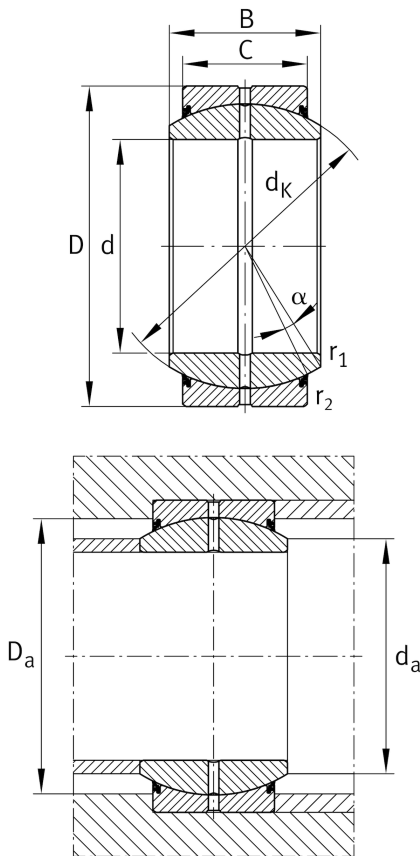
GE20-DO-2RS

Spherical plain bearing

Schaeffler ID:
0066480100000

Radial spherical plain bearing, requiring maintenance, sliding contact surface: steel/steel, DIN ISO 12240-1, dimension series E, sealed

Technical information



Main Dimensions & Performance Data

d	20 mm	Bore diameter bearing
D	35 mm	Outside diameter bearing
B	16 mm	Width Inner ring
C_r	29.600 N	Basic dynamic load rating, radial
C_{0r}	148.000 N	Basic static load rating, radial
	0,06 kg	Weight

Mounting dimensions

$d_{a \max}$	24,1 mm	Connection measure Inner ring
$D_{a \min}$	27,5 mm	Housing Connection Diameter

Dimensions

C	12 mm	Width Outer ring
d_K	29 mm	Ball diameter
α	9 °	Tilt angle
$r_{1 \min}$	0,3 mm	Edge Spacing
$r_{2 \min}$	0,3 mm	Edge Spacing
d_{OT}	0 mm	Bore diameter bearing, upper tolerance
d_{UT}	-0,01 mm	Bore diameter bearing, lower tolerance
D_{OT}	0 mm	Outside diameter, upper tolerance
D_{UT}	-0,011 mm	Outside diameter, lower tolerance
B_{OT}	0 mm	Width inner ring, upper tolerance
G_r	0,04 - 0,082 mm	Radial Clearance
B_{UT}	-0,12 mm	Width inner ring, lower tolerance
C_{OT}	0 mm	Width outer ring, upper tolerance

Temperature range

T_{\min}	-30 °C	Operating temperature min.
T_{\max}	130 °C	Operating temperature max.