



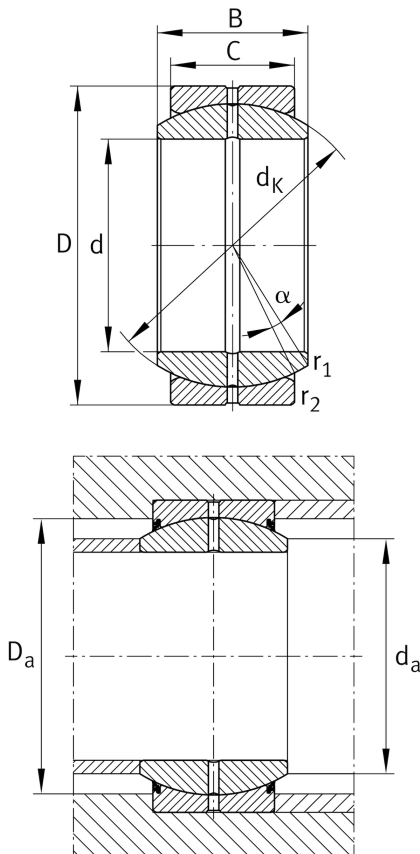
GE12-DO

Spherical plain bearing

Schaeffler ID:
0066524760000

Radial spherical plain bearing, requiring maintenance, sliding contact surface: steel/steel, DIN ISO 12240-1, dimension series E, open design

Technical information



Main Dimensions & Performance Data

d	12 mm	Bore diameter bearing
D	22 mm	Outside diameter bearing
B	10 mm	Width Inner ring
C_r	10.800 N	Basic dynamic load rating, radial
C_{0r}	54.000 N	Basic static load rating, radial
	16,6 g	Weight

Mounting dimensions

$d_{a \max}$	14,9 mm	Connection measure Inner ring
$D_{a \min}$	17,5 mm	Housing Connection Diameter

Dimensions

C	7 mm	Width Outer ring
d_K	18 mm	Ball diameter
α	11 °	Tilt angle
$r_{1 \min}$	0,3 mm	Edge Spacing
$r_{2 \min}$	0,3 mm	Edge Spacing
d_{OT}	0 mm	Bore diameter bearing, upper tolerance
d_{UT}	-0,008 mm	Bore diameter bearing, lower tolerance
D_{OT}	0 mm	Outside diameter, upper tolerance
D_{UT}	-0,009 mm	Outside diameter, lower tolerance
B_{OT}	0 mm	Width inner ring, upper tolerance
G_r	0,032 - 0,068 mm	Radial Clearance
B_{UT}	-0,12 mm	Width inner ring, lower tolerance
C_{OT}	0 mm	Width outer ring, upper tolerance

Temperature range

T_{\min}	-60 °C	Operating temperature min.
T_{\max}	200 °C	Operating temperature max.